

PT-150B WIRE CRIMP PULL TESTER

1. SAFETY

The Alphasron PT-150B Wire Crimp Pull Tester is a force measurement device, and operators should wear safety glasses for eye protection because foreign objects can be thrown from the piece under test.

To prevent fire and shock hazard, do not expose this equipment to moisture. Always unplug the AC line cord prior to servicing.

Do not exceed the rated force capacity (150 lb., 68 kg) of the PT-150B. The unit may be damaged, and the operator or others in the immediate vicinity injured under extreme force conditions.

2. SETUP

The Alphasron PT-150B is shipped from the factory assembled, calibrated, and tested. For best results, users should familiarize themselves with the setup and operation of the unit before placing it in service.

To operate, set the PT-150B on a flat, level surface in an upright position. To prevent damage to the force sensing device, handle the unit by the main support post and base only. Six mounting holes in the base are provided to permanently bolt it in position, if desired. NOTE: The rubber feet in the base plate need to be removed if permanent mounting is desired.

Set the meter alongside the base. Be careful to avoid strain on the cord between the meter and the load cell. The meter has folding legs to permit the operator to adjust the viewing angle.

3. OPERATION

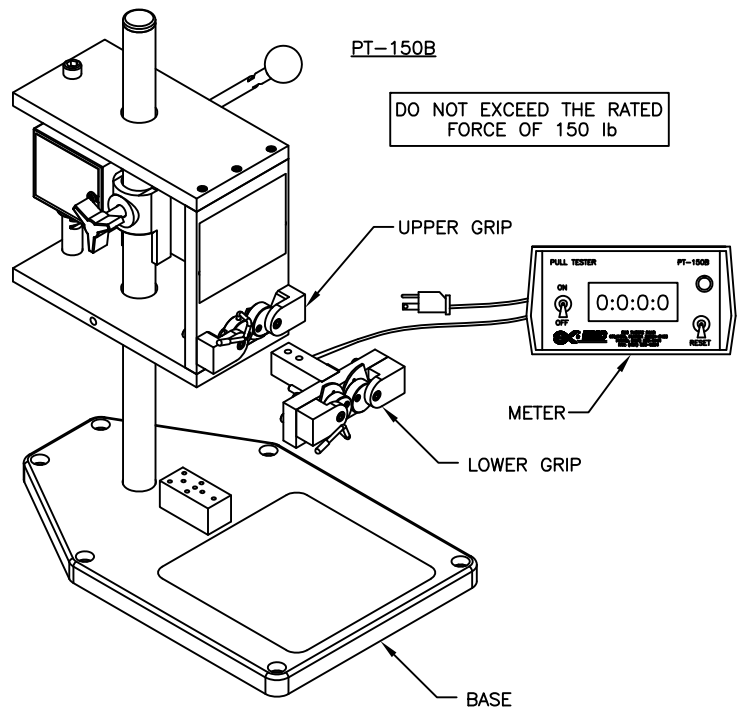
With the switch on the front of the meter turned off, plug the PT-150B into a 115VAC or appropriate outlet. Turn it on and the display will light up to indicate that the unit is operational. The unit will automatically warm up for one minute. The unit will then attempt to "zero". The unit will prompt the user to "Adjust Zero" if it is needed. If needed, turn the zero knob until the display reads 000.0. Turn the knob clockwise to increase and counterclockwise to decrease. The unit will then check calibration automatically. If the unit is in calibration it will continue to testing mode. If the unit is not in calibration the unit will need to be sent to DMC for repair/calibration.

Raise the lever arm on the lower grip and insert the sample into the lower grip with terminal down and clear of the bottom surface of the base plate. Next, lower the lever arm on the upper grip and pass the wire between the knurled upper grip cams.

Pull the operating lever downward in a slow and consistent motion. The indicator will begin to display the amount of force exerted on the crimp. As the force is increased the display will continue to update the reading until the force is no longer increasing. (Usually this is the point at which the crimp is pulled loose, or the wire breaks.)

Upon completion of the test, release the wire and press the reset switch on the front panel prior to the next test.

Best results are obtained with the PT-150B using a slow, consistent motion when pulling the lever. A quick, or hesitant motion can cause the wire to slip within the upper cams and the terminal also may become unseated within the lower cams.



4. SERVICE

Repair and calibration services for the PT-150B Wire Crimp Pull Tester are available from Daniels Manufacturing Corporation. Spare parts are also available.

Should it be necessary to return the unit for service, please ship to the address on this datasheet, freight prepaid. Enclose a letter, or purchase order with company name, address, phone number, the individual to be contacted and the reason for return.

5. SETTING THE UNITS TO BE MEASURED

The PT-150B is capable of making measurements in any of the following units: Pounds (lb.) Kilograms (Kg) Newtons (N). To change the units displayed the dip switches inside of the control box need to be accessed. This is done by removing the four Phillips head screws in the bottom of the box. The top of the box can then be removed. The dip switch set that needs to be changed is red and is labeled SW2. The switches that need to be changed are labeled 2 & 3. Set these two switches as follows for the units you want to measure in.

Pounds (lb)=Switch 2 Down and Switch 3 Up. This is the factory setting.

Kilograms (Kg)=Switch 2 Up and Switch 3 Down.

Newtons (N)=Switch 2 Up & Switch 3 Up.

6. CARE OF TOOL

We strongly recommend that you:

1. DO NOT immerse tools in cleaning solution.
2. DO NOT spray oil into tool to lubricate.
3. DO NOT attempt to disassemble tool or make repairs.

This is a precision crimp tool and should be handled as such.

DMC offers complete refurbishing and recalibration services. DMC specially engineers and manufactures complete tool kits to satisfy individual customer requirements, such as total aircraft support, general shop maintenance or production, on board ship and vehicle service, etc..

LIMITATION OF LIABILITY

DANIELS MANUFACTURING CORPORATION IS NOT LIABLE FOR CONSEQUENTIAL OR SPECIAL DAMAGES OF ANY NATURE OR KIND RESULTING FROM THE USE, OR MISUSE, OF ANY OF ITS PRODUCTS. OWNERS AND USERS OF DMC PRODUCTS ASSUME FULL RESPONSIBILITY FOR INSTRUCTING THEIR EMPLOYEES IN THE PROPER AND SAFE USE OF SUCH PRODUCTS.

LIMITED WARRANTY

DMC (Daniels Manufacturing Corporation) warrants each new product sold by it to be free from defects in material and workmanship under normal use and service. DMC's obligation under this warranty is limited to the free correction or, at DMC's option, the refund of the purchase price of any such product which proves defective in normal service within ninety (90) days after delivery to the first user, provided that the product is returned to DMC with all transportation charges prepaid and which shall appear to DMC's satisfaction, after DMC's inspection, to have been defective in material or workmanship, it being understood that DMC products are not consumer products. This warranty shall not cover any damage to any product which, in the opinion of DMC, was caused by normal wear, misuse, improper operation, tampering, neglect or accident. This warranty is in lieu of all other warranties express or implied. No warranty, express or implied, is made or authorized to be made or assumed with respect to products of Daniels Manufacturing Corporation other than those herein set forth.